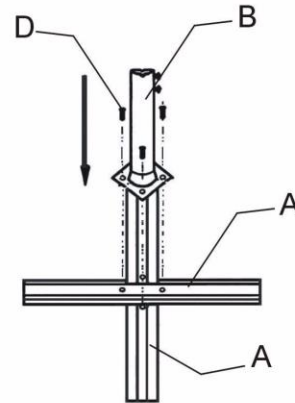
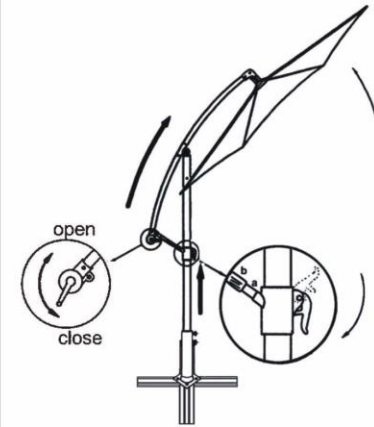


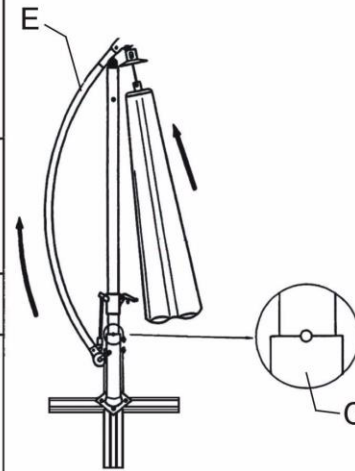
ASSEMBLY INSTRUCTION



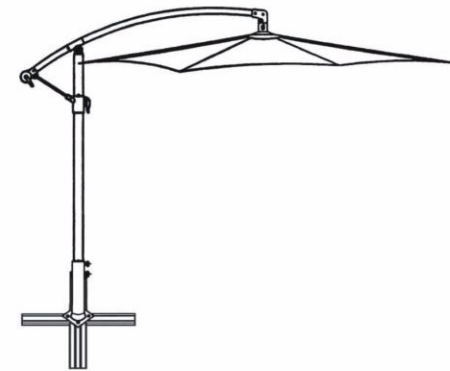
(1)



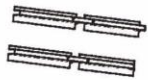
(3)



(2)



(4)



A X2



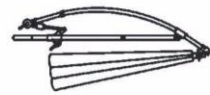
B X1



C X2



D X4



E X1